



MRC-104S

MILPER's MRC-104S is a high performance, rugged computer designed specifically for military embedded applications. The unit is conductive cooled.

The MRC-104S features, SATA SSD 64G MLC device (option for 128GB). Standard interfaces include 2 serial RS-232 and 1 serial RS-422, 4 USB2.0 interfaces and 1 Gigabit Ethernet interface. Using additional Frame Grabber the MRC-104S allows capturing of analog video input. The modular construction of the MRC-104S allows for the attachment of a range of compatible peripherals, accessories and interfaces .

The MRC-104S operates from 20 - 30 VDC power source with Hold-Up time support of 50 msec .

With dimensions of only 152mm and X;Y dimensions 178 x 190mm, the MRC-104S is ideally suited for Embedded Mobile Applications requiring survival in tough environments.

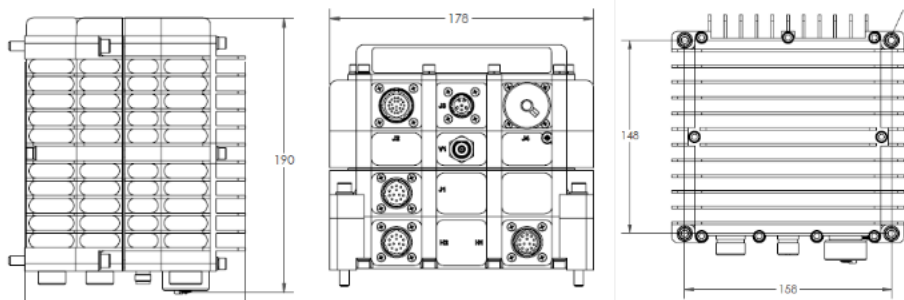
Performance Upgradeability

The MRC-104S allows easy replacement or adding of CPU or any PC-104 interface.

FIELD PROVEN SOLUTION

MRC-104S has been successfully installed and operated in airborne applications (UAV, helicopter). This computer with different configurations have passed Safety Of Flight testing for airborne applications

Dimensions Drawings



Features

- Processor: Intel® ATOM™ N450 1.66Ghz or Dual Core
- Memory 1GB DDR2-667
- Interfaces: 2x RS232 & 1x RS422 COM Ports, 4x USB2.0 Ports, Gigabit Ethernet Port
- Analog video input; VGA output
- Modular Expandable Construction
O/S: Windows XP
- Sealed Enclosure .SSD Option available
50ms Hold UP support

Options

- Removable SSD
- Other Interfaces – Consult Factory

System Connector Description

- H1 – Hold Up Output
- H2 – Hold Up Input
- V1 – Analog Video In
- J1 – Power Input
- J2 – USB + VGA Interfaces
- J3 – RS422 Interface
- J4 – Utility

Milper Ltd.

32 Shaham St. Petach Tikva, P.O.B 7236, ZIP Code 49250, Israel | Tel: +972-73-231-1000

Fax: +972-73-231-1001 | Email: sales@milper.com | www.milper.com

* Subject to validation testing. Subject to change at any time. Documentation available upon request.

©2011 Milper Inc. All trademarks are the property of their respective owners



The system is designed to meet the following conditions		
Temperature	Operating	-30 - +71 oC
	Non-Operating	-40 - +85 oC
Humidity	Operating/Storage	95% HR (non-condensation)
Vibrations	Hard Mount	2 GRMS 20-500Hz, 3 axes,
Shock	Operating	15G 11ms, ½ sine wave, 3 axes (operating), 30G 6ms, ½ sine wave, 3 axes (non-operating)
EMI/RFI		MIL-STD-704D MIL-STD-461F MIL-STD-810F
Altitude	Operating	10,000 ft.
	Non-Operating	40,000 ft.
Physical Characteristics	Size	152 X 190 x 178mm
	Weight	3 Kg.
	Power	20 - 30 VDC

*These specifications are subject to change without notice

Milper Ltd.

32 Shaham St. Petach Tikva, P.O.B 7236, ZIP Code 49250, Israel | Tel: +972-73-231-1000

Fax: +972-73-231-1001 | Email: sales@milper.com | www.milper.com

* Subject to validation testing. Subject to change at any time. Documentation available upon request.

©2011 Milper Inc. All trademarks are the property of their respective owners

